

COLLIER DE SERRAGE MAXI

- Collier d'attache robuste à bande large en acier plaqué ou inoxydable, pour application industrielle, automotif, alimentaire, et agricole.
- Écrou en métal solide pour plus de force.
- Bordures biseautées pour mieux protégés le boyau.



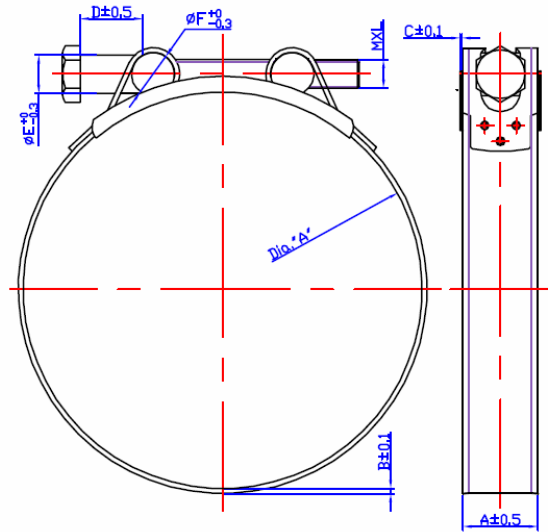
Taille (mm)	Dimensions(mm) Épais. x Large.	Style de Collet	Torsion d'Installation Suggéré		Torsion Minimum de Rupture		Style de Collet	Torsion d'Installation Suggéré		Torsion Minimum de Rupture		Style de Collet	Torsion d'Installation Suggéré		Torsion Minimum de Rupture	
			(Nm)	(Pied.Lbs.)	(Nm)	(Pied.Lbs.)		(Nm)	(Ft.Lbs.)	(Nm)	(Pied.Lbs.)		(Nm)	(Pied.Lbs.)	(Nm)	(Pied.Lbs.)
17 - 19	0.6 x 18	MKL	4.5	3.32	6	4.42	---	---	---	---	---	---	---	---	---	---
20 - 22	0.6 x 18	MKL	4.5	3.32	6	4.42	---	---	---	---	---	---	---	---	---	---
23 - 25	0.6 x 18	MKL	4.5	3.32	6	4.42	M6 / M6S	4.5	3.32	6	4.42	---	---	---	---	---
26 - 28	0.6 x 18	MKL	4.5	3.32	6	4.42	M6 / M6S	4.5	3.32	6	4.42	---	---	---	---	---
29 - 31	0.8 x 20/0.6 x 20	MKL	9	6.64	12	8.85	M6 / M6S	9	6.64	12	8.85	---	---	---	---	---
30 - 33	0.8 x 20/0.6 x 20	MKL	9	6.64	12	8.85	M6 / M6S	9	6.64	12	8.85	---	---	---	---	---
32 - 35	0.8 x 20/0.6 x 20	MKL	9	6.64	12	8.85	M6 / M6S	9	6.64	12	8.85	---	---	---	---	---
36 - 39	0.8 x 20/0.6 x 20	MKL	9	6.64	12	8.85	M6 / M6S	9	6.64	12	8.85	---	---	---	---	---
40 - 43	0.8 x 20/0.6 x 20	MKL	9	6.64	12	8.85	M6 / M6S	9	6.64	12	8.85	---	---	---	---	---
44 - 47	1.2 x 22/0.8 x 22	MKL	18	13.28	24	17.7	M8 / M8S	18	13.28	24	17.7	---	---	---	---	---
48 - 51	1.2 x 22/0.8 x 22	MKL	18	13.28	24	17.7	M8 / M8S	18	13.28	24	17.7	---	---	---	---	---
52 - 55	1.2 x 22/0.8 x 22	MKL	18	13.28	24	17.7	M8 / M8S	18	13.28	24	17.7	---	---	---	---	---
56 - 59	1.2 x 22/0.8 x 22	MKL	18	13.28	24	17.7	M8 / M8S	18	13.28	24	17.7	---	---	---	---	---
60 - 63	1.2 x 22/0.8 x 22	MKL	18	13.28	24	17.7	M8 / M8S	18	13.28	24	17.7	---	---	---	---	---
64 - 67	1.5 x 22/0.8 x 22	MKL	18	13.28	24	17.7	M8 / M8S	18	13.28	24	17.7	---	---	---	---	---
68 - 73	1.5 x 2.4/0.8 x 24	MKL	18	13.28	24	17.7	M8 / M8S	18	13.28	24	17.7	---	---	---	---	---
74 - 79	1.5 x 2.4/0.8 x 24	MKL	18	13.28	24	17.7	M8 / M8S	18	13.28	24	17.7	---	---	---	---	---
80 - 85	1.5 x 2.4/0.8 x 24	MKL	18	13.28	24	17.7	M8 / M8S	18	13.28	24	17.7	---	---	---	---	---
86 - 91	1.5 x 2.4/0.8 x 24	MKL	18	13.28	24	17.7	M8 / M8S	18	13.28	24	17.7	M10DC	30	22.13	40	29.5
92 - 97	1.5 x 2.4/0.8 x 24	MKL	18	13.28	24	17.7	M8 / M8S	18	13.28	24	17.7	M10DC	30	22.13	40	29.5
98 - 103	1.5 x 2.4/0.8 x 24	MKL	18	13.28	24	17.7	M8 / M8S	18	13.28	24	17.7	M10DC	30	22.13	40	29.5
104 - 112	1.5 x 2.4/0.8 x 24	MKL	18	13.28	24	17.7	M8 / M8S	18	13.28	24	17.7	M10DC	30	22.13	40	29.5
113 - 121	1.5 x 2.4/0.8 x 24	MKL	18	13.28	24	17.7	M8 / M8S	18	13.28	24	17.7	M10DC	30	22.13	40	29.5
122 - 130	1.5 x 2.4/0.8 x 24	MKL	18	13.28	24	17.7	M8 / M8S	18	13.28	24	17.7	M10DC	30	22.13	40	29.5
131 - 139	1.7 x 26/1.0 x 26	MKL	29	21.39	38.7	28.54	M10/M10S	29	21.39	38.7	28.54	M10DC	30	22.13	40	29.5
140 - 148	1.7 x 26	MKL	29	21.39	38.7	28.54	M10	29	21.39	38.7	28.54	M10DC	30	22.13	40	29.5
149 - 161	1.7 x 26	MKL	29	21.39	38.7	28.54	M10	29	21.39	38.7	28.54	M10DC	30	22.13	40	29.5
162 - 174	1.7 x 26/1.0 x 26	MKL	29	21.39	38.7	28.54	M10/M10S	29	21.39	38.7	28.54	M10DC	30	22.13	40	29.5
175 - 187	1.7 x 26	MKL	29	21.39	38.7	28.54	M10	29	21.39	38.7	28.54	M10DC	30	22.13	40	29.5
188 - 200	1.7 x 26	MKL	29	21.39	38.7	28.54	M10	29	21.39	38.7	28.54	M10DC	30	22.13	40	29.5
201 - 213	1.7 x 26	MKL	29	21.39	38.7	28.54	M10	29	21.39	38.7	28.54	---	---	---	---	---
214 - 226	1.7 x 26	MKL	29	21.39	38.7	28.54	M10	29	21.39	38.7	28.54	---	---	---	---	---
227 - 239	1.7 x 26	MKL	29	21.39	38.7	28.54	M10	29	21.39	38.7	28.54	---	---	---	---	---
240 - 252	1.7 x 26	MKL	29	21.39	38.7	28.54	M10	29	21.39	38.7	28.54	---	---	---	---	---
200 - 220	1.7 x 30	---	---	---	---	---	---	---	---	---	---	M10DC	30	22.13	40	29.5
208 - 220	1.0 x 26	---	---	---	---	---	M10S	29	21.39	38.7	28.54	---	---	---	---	---
240 - 260	1.7 x 30	---	---	---	---	---	---	---	---	---	---	M10DC	30	22.13	40	29.5
260 - 280	1.7 x 30	---	---	---	---	---	---	---	---	---	---	M10DC	30	22.13	40	29.5
280 - 300	1.7 x 30	---	---	---	---	---	---	---	---	---	---	M10DC	30	22.13	40	29.5
300 - 325	1.7 x 30	---	---	---	---	---	---	---	---	---	---	M10DC	30	22.13	40	29.5
325 - 350	1.7 x 30	---	---	---	---	---	---	---	---	---	---	M10DC	30	22.13	40	29.5
350 - 375	1.7 x 30	---	---	---	---	---	---	---	---	---	---	M10DC	30	22.13	40	29.5
375 - 400	1.7 x 30	---	---	---	---	---	---	---	---	---	---	M10DC	30	22.13	40	29.5
425 - 450	1.7 x 30	---	---	---	---	---	---	---	---	---	---	M10DC	30	22.13	40	29.5
450 - 475	1.7 x 30	---	---	---	---	---	---	---	---	---	---	M10DC	30	22.13	40	29.5

TORONTO - MONTRÉAL - EDMONTON - HOUSTON



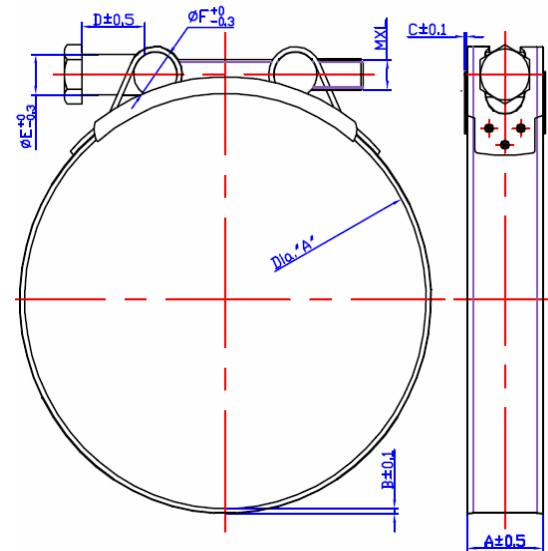
Taille	A	B	C	D	E	F	BOUL(MXL)
17-19	18mm	0.6	0.6	5	8	12	M5*40
20-22							M5*40
23-25							M5*40
26-28							M5*40
29-31							M6*50
30-33	M6*50						
32-35	M6*50						
36-39	M6*50						
40-43	20mm	0.8		9	9	14	M6*50
44-47							M8*60
48-51			M8*60				
52-55			M8*60				
56-59			M8*60				
60-63	M8*60						
64-67	22mm	1	0.6	11	11.6	15	M8*70
68-73							M8*70
74-79							M8*70
80-85							M8*70
86-91							M8*70
92-97	24mm	1		20	13.5	15	M8*70
98-103							M8*70
104-112							M8*80
113-121							M8*80
122-130							M8*80
131-139	26mm	1	25	13.5	15	M10*90	
140-148						M10*90	
149-161						M10*110	
162-174						M10*110	
175-187						M10*110	
188-200	M10*110						
201-213	M10*110						
214-226	M10*110						
227-239	M10*110						

Acier Plaqué M6/M8/M10



Taille	A	B	C	D	E	F	BOUL(MXL)
17-19	18mm	0.6	0.6	5	8	12	M5*40
20-22							M5*40
23-25							M5*40
26-28							M5*40
29-31							M6*50
30-33	M6*50						
32-35	M6*50						
36-39	M6*50						
40-43	20mm	0.8		9	9	14	M6*50
44-47							M8*60
48-51			M8*60				
52-55			M8*60				
56-59			M8*60				
60-63	M8*60						
64-67	22mm	1	0.6	11	11.6	15	M8*70
68-73							M8*70
74-79							M8*70
80-85							M8*70
86-91							M8*70
92-97	24mm	1		20	13.5	15	M8*70
98-103							M8*70
104-112							M8*80
113-121							M8*80
122-130							M8*80
131-139	26mm	1	25	13.5	15	M10*90	
140-148						M10*90	
149-161						M10*110	
162-174						M10*110	
175-187						M10*110	
188-200	M10*110						
201-213	M10*110						
214-226	M10*110						
227-239	M10*110						

Acier Inox. M6S/M8S/M10S



Bande/Plaquette/Tourillon/Manchon
 – AISI 301SS Bolt – A2-70

www.amiflex.com

TORONTO - MONTRÉAL - EDMONTON - HOUSTON

50 Fasken
Dr,
Toronto, ON
M9W1K5

9555 Henri
Bourassa O.,
St Laurent, QC
H4S1S7

9547-12Ave
S.O.,
Edmonton, AB
T6X0C3

5731 Harvey
Wilson Dr,
Houston, TX
77020